



**WATER MATRIX™**  
THE FUTURE OF WATER SOLUTIONS

PRODUCT  
SPECIFICATIONS

Model No.	<b>PROFICIENCY COMFORT HEIGHT</b>
<b>N7799</b>	Comfort Height, ADA-Compliant Elongated Front, 3.6 lpf Single-Flush, Two-piece Rear Outlet Toilet

**FEATURES**



**ULTRA HIGH EFFICIENCY FLUSH**

Our patented air transfer system delivers a swift and quiet, yet powerful flush with just 3 litres of water.



**SOFT-CLOSE SEAT**

The toilet lid and seat close with a light touch, preventing slamming. Moulded with durable, heavy-duty break-resistant plastic.



**LARGE WATER SURFACE**

Air is transferred to the trapway during filling of the tank, exerting positive pressure on the water in the bowl and creating a larger surface.



**COMPACT DESIGN**

Install and renovate with ease. Have more room for vanities, shelving, or cabinets.



**SUPERIOR ENGINEERED CERAMICS**

High-glazed vitreous china provides a smooth, low-friction surface.



**STYLISH FLUSH BUTTON**

Inconspicuous, top-mounted, break-resistant, spring-loaded, and finished in polished chrome.



 **Hennessy & Hinchcliffe**



**BUILD GREEN**  
accrue LEED Canada credit points:

UP TO **6** LEED POINTS  
For commercial buildings

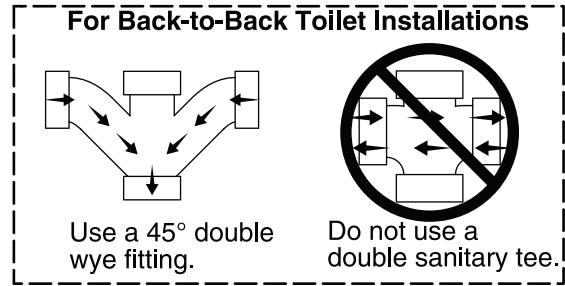
UP TO **2** LEED POINTS  
For residential buildings



Model No.	<b>PROFICIENCY COMFORT HEIGHT</b>
<b>N7799</b>	Comfort Height, ADA-Compliant Elongated Front, 3.6 lpf Single-Flush, Two-piece Rear Outlet Toilet

## PERFORMANCE

The Proficiency harnesses the energy of water filling the tank to pressurize the trapway via a patented air transfer system. When flushed, air is sucked out of the trapway, initiating the highly efficient siphonic action. This new technology gives the Proficiency the leading edge in water efficiency, achieving the lowest flush volume of any toilet in the industry.

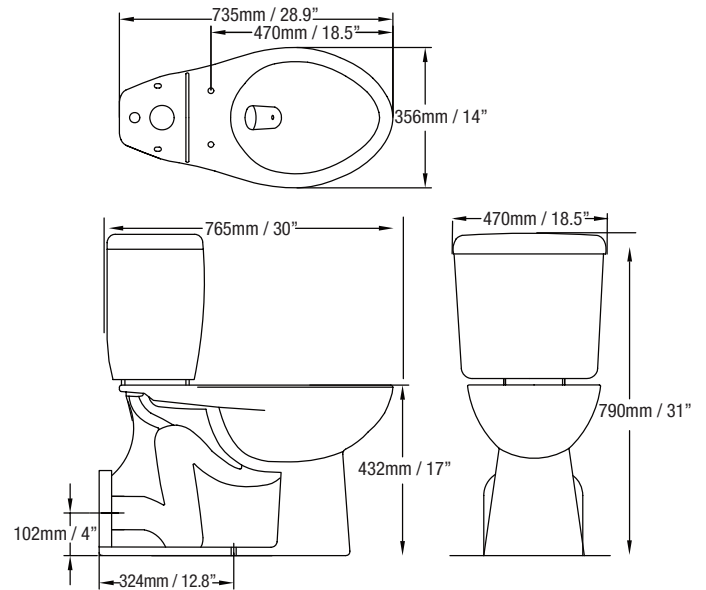


## SPECIFICATIONS

Water Usage	3.6 lpf / 0.95 gpf
Flush System	Patented Air Transfer System - Canadian-engineered
MaP Rating	800g
Water Pressure Range	Variable
Water Surface Area	7¼" X 9¼" (184 mm X 235 mm)
Trap Diameter	2" (51 mm)
Trap Seal	2-3/8" (60 mm)
Rough-In	25.2" X 10.2" (640 mm X 260 mm)
Large Footprint	High glaze vitreous china
Material	White
Colours	Lifetime on china
Warranty	10-year warranty on air transfer system; 1-year on valves
	Eligible for the highest tier of municipal toilet rebates, where available
	Complies with ASME A112.19.2 and CSA B45 codes and surpasses standards for MaP and drainline carry capacity



## DIMENSIONS



Ultra High Efficiency Toilet  
**UHET**

## SHIPPING DIMENSIONS & WEIGHT

### N7714 TANK

19" x 11" x 18"  
 (483mm x 279mm x 457mm)  
 35 lbs. (15.9 kg)

### N7799 BOWL

30" x 16" x 19"  
 (762mm x 406mm x 483mm)  
 60 lbs. (27.2 kg)  
 Seat Included e.

Specifications are subject to change without notice

Distributed & marketed by:



**WATER MATRIX™**  
 THE FUTURE OF WATER SOLUTIONS

### Head Office

7930 Huntington Rd, Unit 3, Vaughan, Ontario, Canada L4H 4M8  
 Tel: (905) 850-8080 Fax: (905) 850-9100 Toll-Free: 1-800-668-4420  
 Email: sales@watermatrix.com Website: www.watermatrix.com